

# PERISTALTIC DOSING PUMP

PPR



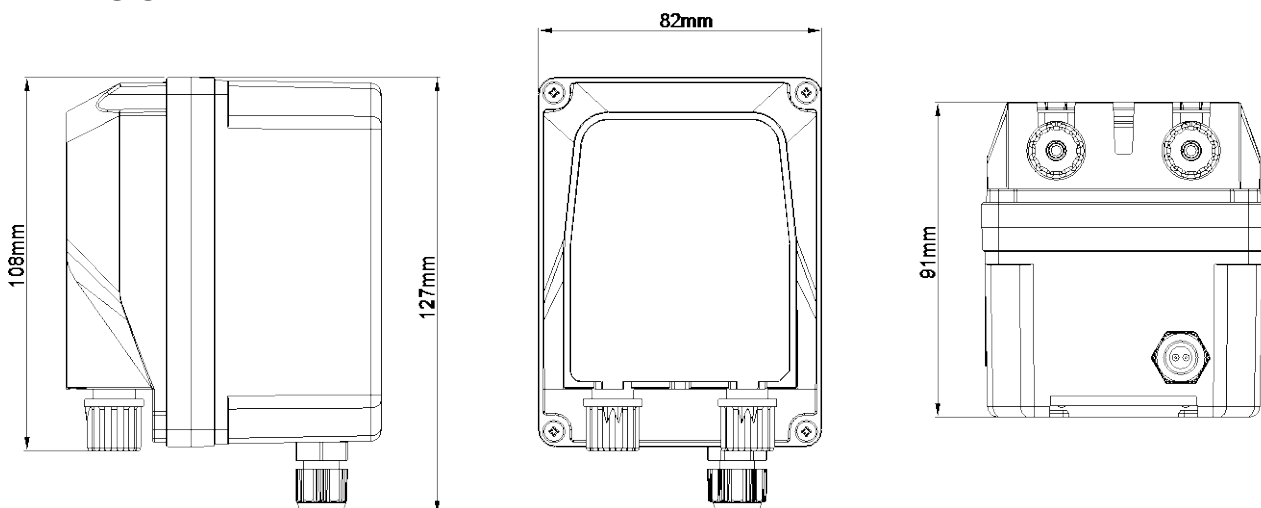
Seko SpA declares that the pump code PPR0004A1000\_A has the following features:

<b>CERTIFICATION</b>	CE
<b>TYPE</b>	PPR
<b>POWER SUPPLY</b>	230 Vac 50/60 Hz
<b>CONSUMPTION</b>	3,5 W
<b>PERISTALTIC TUBE MATERIAL</b>	SANTOPRENE (6x10)
<b>CC/REVOLUTION</b>	2,5
<b>FLOW-RATE</b>	4 l/h
<b>BACKPRESSURE</b>	0,1 BAR
<b>MPA</b>	0,01
<b>PSI</b>	1,450
<b>GPD</b>	25,34
<b>GPH</b>	1,059
<b>IP DEGREE</b>	IP 65
<b>OPERATING TEMPERATURE</b>	5-50°C
<b>STORAGE TEMPERATURE</b>	-20÷60°C



<b>FOOT FILTER</b>	Grid filter in PP with ceramic weight
<b>TUB INJECTION</b>	90° Injection fitting (AISI) with tube holder
<b>FIXING BRACKET</b>	PC Wall bracket
<b>SUCTION/DELIVERY TUBING</b>	4x6 PVC (4 m roll)

## DIMENSION



SEKO spa has taken all reasonable measures about the accuracy of this translation, but regrets that no responsibility can be accepted for any error, omission or inaccuracy. In case of doubt or dispute, as provided by the European Directive, only the original language text is valid.

Your Choice,  
Our Commitment

Technical data can be changed without notice.  
TD\_PPR0004A1000\_A\_rev.2.0